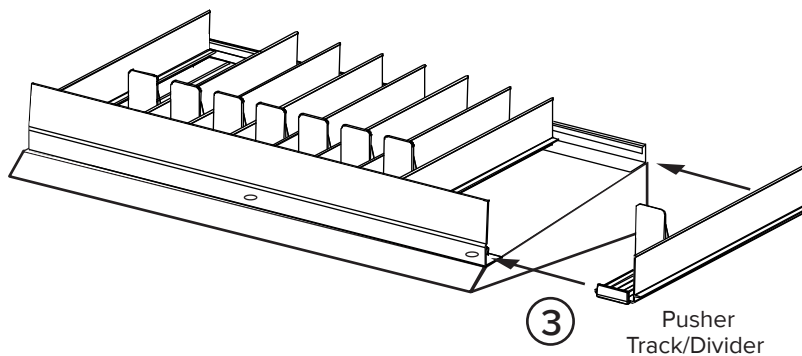


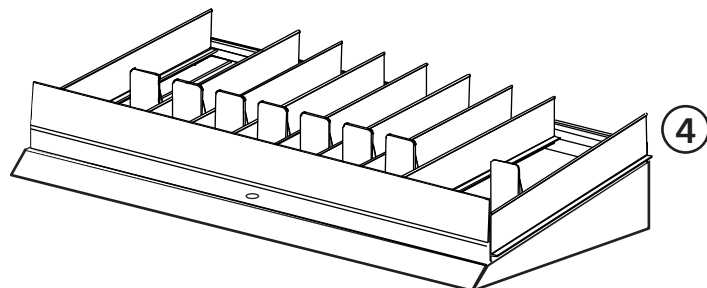
1
Align holes of 4" Front Fence with front holes in shelf. Insert Fasteners into holes.

2
NOTE: Left End Divider not needed when connecting next to another Pusher unit. Left End Divider has two adhesive pads. Remove liners, align left edge of divider with left edge of front and rear rails and adhere to top of rail base.



3
Slide Pusher Track/Dividers back into Front and Rear Rails.

4
The last pusher track/divider will be used as the right end divider.



5
Begin placing product on to system from left side to right. Slide pusher track/divider to match width of product. Load first row of product. Repeat this step until you reach right edge of Pusher System.

6
Place next Pusher System on top of store shelf. Line up front and rear rails with previously installed System. Also, align holes in front rail with shelf holes. Secure with fasteners. Slide next pusher/divider into left unit.

